

Series Introduction

A Series: This series cannot withstand bending moments. It can neither be straddle nor cantilever mounted and can only provide torque in the form of shaft output.

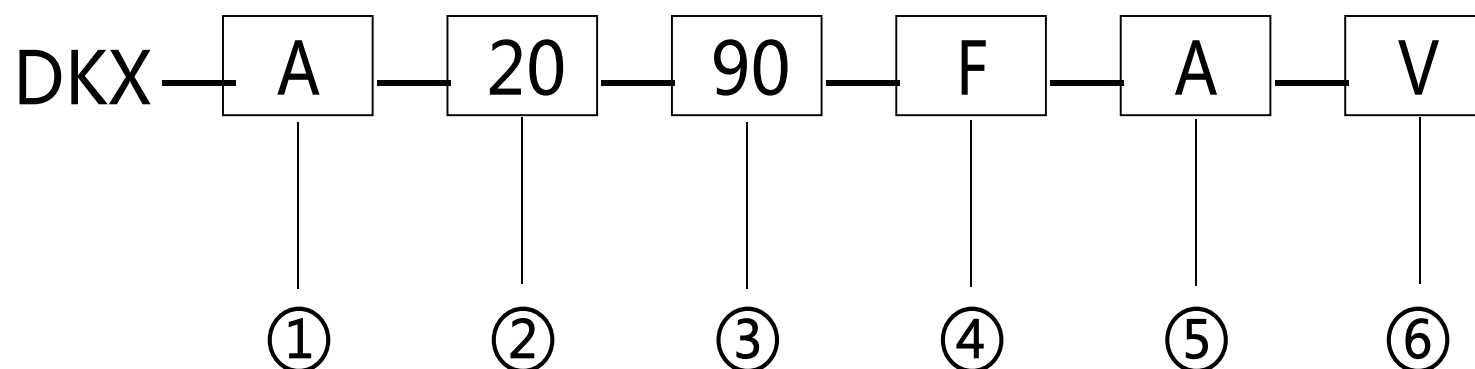
B Series: This series can withstand certain bending moments and can be either straddle or cantilever mounted and used by light-duty mechanical equipment.

C Series: This series can withstand bending moments, have a compact axial structure and can be cantilever mounted.

D Series: This series can withstand large bending moments and can be either straddle or cantilever mounted and used by heavy-duty mechanical equipment.

E Series: This series is a hydraulically controlled valve actuator that cannot withstand bending moments and is mainly used for performing the switching action of the valve.

Model Description



| ① | Series No. of rotary actuator | A | B | C | D | E |
|-------|---|--|---------------------------------------|--------------------------------|---|--|
| ② | Model | 20 , 35 , 65 , 135 , 200 , 250 , 560 , 800 , 1200 , 2200 | 50 , 95 , 180 , 280 , 300 , 450 , 580 | 20 , 30 , 60 , 100 , 160 , 280 | 200 , 280 , 300 , 470 , 500 , 750 , 1000 , 1150 , 1400 , 1800 , 2500 , 4200 | 12 , 25 , 50 , 100 , 200 , 400 , 800 , 1600 , 3200 |
| ③ | Rotation angle | 90=90° 180=180° 270=270° 360=360° | | | | |
| ④ | Mounting type of actuator body | F= Flange mounting D=Footmounting | | G= Actuator body mounting | | |
| ⑤ | Torque output forms | A= Single shaft spline B= Internal jack C= Double flange S= Single flange Y= Double-shaft spline | | | | |
| ⑥ | Accessories | V= Balance valve R= Overflow valve B= Cushion valve | | | | |
| Note: | I . The rotary actuator can be installed with an angle encoder. Please specify if necessary; II . Special rotary actuators (non-standard rotation angle, torque and mounting type) can be customized; III. The models of telescopic linear rotary actuators and excavator-specific rotary actuators are not included in this table. Please contact Shanghai Dunke Machinery Co., Ltd. if necessary. | | | | | |

Performance parameters and dimensions of E series

| | | | | | | | | | |
|---------------------------------|------|-------|------|------|------|------|------|-------|-------|
| Model | 12 | 25 | 50 | 100 | 200 | 400 | 800 | 1600 | 3200 |
| Drive torque 13.5MPa(Nm) | 125 | 250 | 500 | 1000 | 2000 | 4000 | 8000 | 16000 | 32000 |
| Displacement (cm ³) | 26 | 50 | 102 | 209 | 400 | 800 | 1600 | 3100 | 6200 |
| Weight (KG) | 5.3 | 8.3 | 13 | 19.9 | 33.1 | 68.9 | 108 | 176 | 441 |
| H1 (mm) | 129 | 151.5 | 176 | 201 | 234 | 279 | 336 | 410 | 522 |
| H2 (mm) | 110 | 130.5 | 153 | 179 | 212 | 255 | 319 | 390 | 502 |
| H3 (mm) | 58 | 59 | 62.5 | 66 | 68 | 74 | 89.5 | 104 | 119 |
| H4 (mm) | 41 | 41 | 41 | 41 | 41 | 41 | 41 | 41 | 41 |
| H5 (mm) | 22 | 22 | 22 | 22 | 22 | 22 | 22 | 22 | 22 |
| H6 (mm) | 14.5 | 16.5 | 20 | 23.5 | 25.5 | 31.5 | - | - | - |
| H7 (mm) | 20.5 | 23 | 23 | 28 | 37 | 40 | 44 | 60 | 73 |
| W1 (mm) | Φ96 | Φ118 | Φ132 | Φ160 | Φ192 | Φ258 | Φ314 | Φ350 | Φ465 |
| W2 (mm) | 53 | 60 | 73 | 85 | 97 | 125 | - | - | - |
| W3 (mm) | Φ88 | Φ104 | Φ126 | Φ145 | Φ165 | Φ215 | Φ252 | Φ300 | Φ382 |
| W4 (mm) | 52 | 52 | 52 | 52 | 52 | 52 | 52 | 52 | 52 |
| W5 (mm) | 35 | 35 | 35 | 35 | 35 | 35 | 35 | 35 | 35 |
| P oil outlet | 1/4 | 1/4 | 1/4 | 1/4 | 1/4 | 1/4 | 1/4 | 1/4 | 1/4 |
| | M8 | M8 | M8 | M8 | M8 | M8 | M8 | M8 | M8 |
| | 12 | 12 | 12 | 12 | 12 | 12 | 12 | 12 | 12 |

Note: The performance parameters and dimensions of the products in the table are for reference only. The exact dimensions are subject to the final product drawings