

Series Introduction

A Series: This series cannot withstand bending moments. It can neither be straddle nor cantilever mounted and can only provide torque in the form of shaft output.

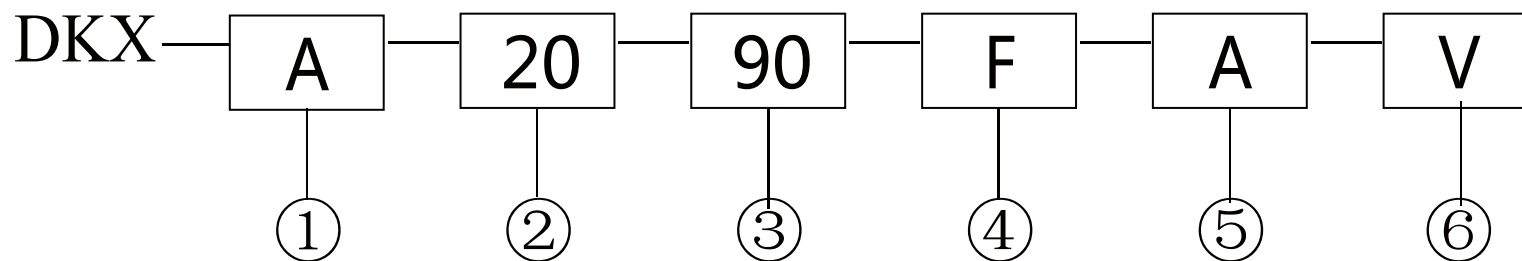
B Series: This series can withstand certain bending moments and can be either straddle or cantilever mounted and used by light-duty mechanical equipment.

C Series: This series can withstand bending moments, have a compact axial structure and can be cantilever mounted.

D Series: This series can withstand large bending moments and can be either straddle or cantilever mounted and used by heavy-duty mechanical equipment.

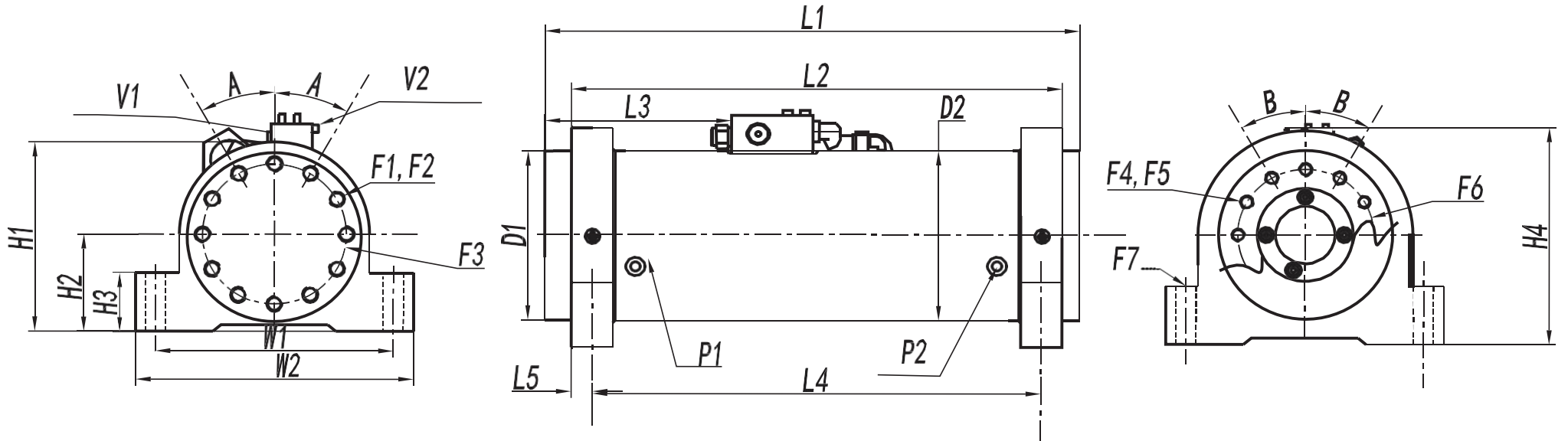
E Series: This series is a hydraulically controlled valve actuator that cannot withstand bending moments and is mainly used for performing the switching action of the valve.

Model Description



①	Series No. of rotary actuator	A	B	C	D	E
②	Model	20, 35, 65, 135, 200, 250, 560, 800, 1200, 2200	50, 95, 180, 280, 300, 450, 580	20, 30, 60, 100, 160, 280	200, 280, 300, 470, 500, 750, 1000, 1150, 1400, 1800, 2500, 4200	12, 25, 50, 100, 200, 400, 800, 1600, 3200
②	Rotation angle	90=90°	180=180°	270=270°	360=360°	
③	Mounting type of actuator body	F= Flange mounting	D=Footmounting	G= Actuator body mounting		
④	Torque output forms	A= Single shaft spline	B= Internal jack	C= Double flange	S= Single flange	Y= Double-shaft spline
⑤	Accessories	V= Balance valve	R= Overflow valve	B= Cushion valve		
Note:	I . The rotary actuator can be installed with an angle encoder. Please specify if necessary; II . Special rotary actuators (non-standard rotation angle, torque and mounting type) can be customized; III. The models of telescopic linear rotary actuators and excavator-specific rotary actuators are not included in this table. Please contact Shanghai Dunke Machinery Co., Ltd. if necessary.					

Performance parameters and dimensions of D series foot mounting rotary actuator



Model		200	280	300	470	500	750	1000	1150	1400	1800	2500	4200	
Torque 210bar(Nm)	Driving	1920	2820	3100	4750	5100	7340	10700	11500	14100	18600	24300	42900	
	Holding	4900	6800	5000	12000	8100	18000	26000	18500	35000	46000	59000	110000	
Bending moment (Nm)	Cantilever	5200	7100	7500	11900	12000	18400	29500	30000	38800	55900	72900	64400	
	Straddle	180°	13400	16900	17500	3080	31000	47800	75100	75000	90900	130500	170000	170000
		360°	19200	24600	17500	45400	31000	71200	111500	75000	146000	197700	170000	256500
Load (KG)	Axial	1400	1800	1800	2700	3000	3600	4500	7000	5900	6800	8200	8200	
	Radial	1800	2300	2500	6600	3600	5000	6800	7000	8200	10000	11800	11800	
Displacement (cm ³)	180°	492	688	716	1180	1161	1870	2688	2680	3540	4654	6000	10200	
	360°	983	1390	1420	2360	2323	3740	5360	5360	7080	9325	12000	-	
Weight (KG)	180°	34.5	49.9	60	72.6	85	110	160	180	220	280	360	500	
	360°	45.4	63.5	75	100	110	140	200	240	290	370	455	-	
Valve (optional)		Optional	Optional	Optional	Optional	Optional	Optional	Optional	Optional	Optional	Optional	Optional	Optional	
		Optional	Optional	Optional	Optional	Optional	Optional	Optional	Optional	Optional	Optional	Optional	Optional	

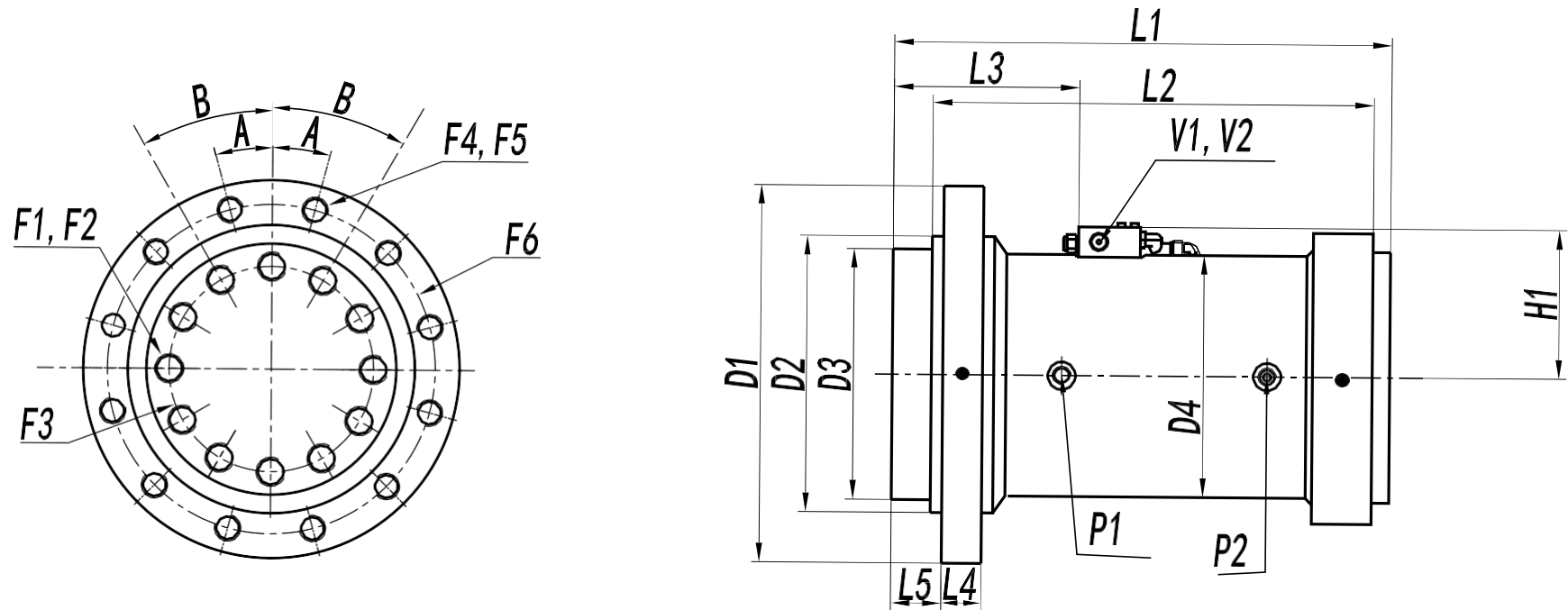
Note: The performance parameters and dimensions of the products in the table are for reference only. The exact dimensions are subject to the final product drawings.

Performance parameters and dimensions of D series foot mounting rotary actuator

Model		200	280	300	470	500	750	1000	1150	1400	1800	2500	4200
D1 Diameter of shaft flange and end cover flange (mm)		139	155	150	183	183	209	234	234	263	288	310	310
D2 Shell diameter (mm)		140	152	177	178	202	203	229	265	254	279	305	305
F1 Mounting holes of shaft flange (F2: number of mounting holes: 12)	Metric	M12	M16	M12	M20	M16	M22	M24	M22	M27	M27	M30	M30
	Depth	18	23.9	18	30	24	33	36.1	33	40.6	40.6	44.9	44.9
F3 Bolt circle diameter of shaft flange (mm)		115	125	120	150	133	170	195	170	215	240	255	255
F4 Mounting holes of end cover flange (F5: Mounting holes of end cover flange: 12)	Metric	M10	M12	M16	M16	M20	M20	M22	M24	M24	M24	M27	M27
	Depth	15	18	25	23.9	35	30	33	36	36.1	36.1	40.1	40.1
F6 Bolt circle diameter of end cover flange (mm)		108	120	125	133	150	150	170	195	190	210	230	230
F7 Diameter of bottom foot hole (mm)		M16	M20	21	M22	28	M24	M24	28	M30	M30	M36	M36
H1 Overall height (mm)		156	186	-	212	-	240	276	-	305	327	362	362
H2 Height from center line (mm)		80	94.9	95	108	108	122	140	140	154	165	184	184
H3 Bottom foot height (mm)		48	69.9	49	77.9	58	88.1	105	78	110	120	135	135
H4 Overall height (mm)		179	201	118.5	226	136	271	298	175	310	334	366	366
L1 Overall length (mm)	180°	298	323	323	365	365	413	475	475	524	551	600	906
	360°	427	470	470	538	538	615	705	705	776	836	906	-
L2 Overall length, non-rotating part (mm)	180°	261	286	292	323	323	363	431	431	463	493	534	848
	360°	392	433	439	496	496	565	661	661	715	775	843	-
L3 Distance between shaft flange and balance valve (mm)	180°	75.2	134	-	143	-	130	152	-	185	196	221	374
	360°	149	157	-	197	-	232	267	-	308	338	374	-
L4 Mounting length (mm)	180°	229	248	248	281	281	314	374	374	400	426	460	766
	360°	358	395	395	454	454	516	604	604	652	708	766	-
L5 Distance between shaft flange and mounting holes (mm)		38.1	43.9	44	50	50	56.9	59.9	60	74.2	75.9	80	80
W1 Mounting width (mm)		190	230	230	260	260	300	340	340	380	410	450	450
W2 Overall width (mm)		222	268	268	310	310	350	400	400	447	484	530	530
P1, P2 Shell oil outlet	ISO-1179-1/BSPP 'G' series oil outlet, with a size of 1/8 to 1. See details in drawings.												
V1,V2 Valve oil outlet													

Note: The performance parameters and dimensions of the products in the table are for reference only. The exact dimensions are subject to the final product drawings.

Performance parameters and dimensions of D series flange mounting rotary actuator



Model		200	280	300	470	500	750	1000	1150	1400	1800	2500	4200
Torque 210bar (Nm)	Driving	1920	2820	3100	4750	5100	7340	10700	11500	14100	18600	24300	42900
	Holding	4900	6800	5000	12000	8100	18000	26000	18500	35000	46000	59000	110000
Bending moment (Nm)	Cantilever	5200	7100	7500	11900	12000	18400	29500	30000	38800	55900	72900	64400
Load (KG)	Axial	1400	1800	1800	2700	3000	3600	4500	7000	5900	6800	8200	8200
	Radial	1800	2300	2500	6600	3600	5000	6800	7000	8200	10000	11800	11800
Displacement (cm ³)	180°	492	688	716	1180	1161	1870	2688	2680	3540	4654	6000	10200
	360°	983	1390	1420	2360	2323	3740	5360	5360	7080	9325	12000	-
Weight (KG)	180°	34.5	49.9	60	72.6	85	110	160	180	220	280	360	500
	360°	45.4	63.5	75	100	110	140	200	240	290	370	455	-
Valve (Optional)	Optional	Optional	Optional	Optional	Optional	Optional	Optional	Optional	Optional	Optional	Optional	Optional	Optional
	Optional	Optional	Optional	Optional	Optional	Optional	Optional	Optional	Optional	Optional	Optional	Optional	Optional

Note: The performance parameters and dimensions of the products in the table are for reference only. The exact dimensions are subject to the final product drawings.

Performance parameters and dimensions of D series flange mounting rotary actuator

Model		200	280	300	470	500	750	1000	1150	1400	1800	2500	4200
D1 Diameter of shaft flange and end cover flange (mm)		200	235	235	280	280	315	355	365	396	442	475	475
D2 Diameter of setting circle (mm)		150	175	175	205	205	230	260	260	290	315	340	340
D3 Diameter of shaft flange and end cover flange (mm)		139	155	150	183	183	209	234	234	263	288	310	310
D4 Shell diameter (mm)		140	152	177	178	202	203	229	265	254	279	305	305
F1 Mounting holes of shaft flange (F2: number of mounting holes:12)	Metric	M12	M16	M16	M20	M20	M22	M24	24	M27	M27	M30	M30
	Depth	18	23.9	23	30	35	33	36.1	36	40.6	40.6	44.9	44.9
F3 Bolt circle diameter of shaft flange (mm)		115	127	125	149	150	171	195	195	216	240	254	254
F4 Mounting holes of shell flange (F5: number of mounting holes:12)		M10	M12	M13	M16	M17	M20	M22	M23	M24	M27	M30	M30
F6 Bolt circle diameter of shell flange (mm)		175	206	205	245	245	275	310	310	345	380	410	410
H1 Distance between center line and valve top (mm)		99.1	106	118.5	118	136	131	144	167.5	156	169	182	182
L1 Overall length (mm)	180°	298	298	323	365	365	413	475	475	524	551	600	906
	360°	427	427	470	538	538	615	705	705	776	836	906	-
L2 Overall length, non-rotating part (mm)	180°	261	283	292	323	323	363	431	431	462	493	534	840
	360°	390	430	439	496	496	565	661	661	715	775	839	-
L3 Distance between shaft flange and balance valve (mm)	180°	75.2	134	-	142	-	130	152	-	184	199	221	374
	360°	202	157	-	197	-	232	267	-	308	340	374	-
L4 Mounting flange thickness		25.2	25.9	26	30.9	31	33	40.1	40	41.9	45.9	52	52
L5 Distance from shaft flange to mounting flange face (mm)		26.9	32	32	35.1	35	41.9	40.1	40	53.1	54.1	55.9	55.9
P1, P2 Shell oil outlet	ISO-1179-1/BSPP 'G' series oil outlet, with a size of 1/8 to 1. See details in drawings.												
V1,V2 Valve oil outlet													

Note: The performance parameters and dimensions of the products in the table are for reference only. The exact dimensions are subject to the final product drawings.